

PLASMA CUTTING

PLASMA CB 50

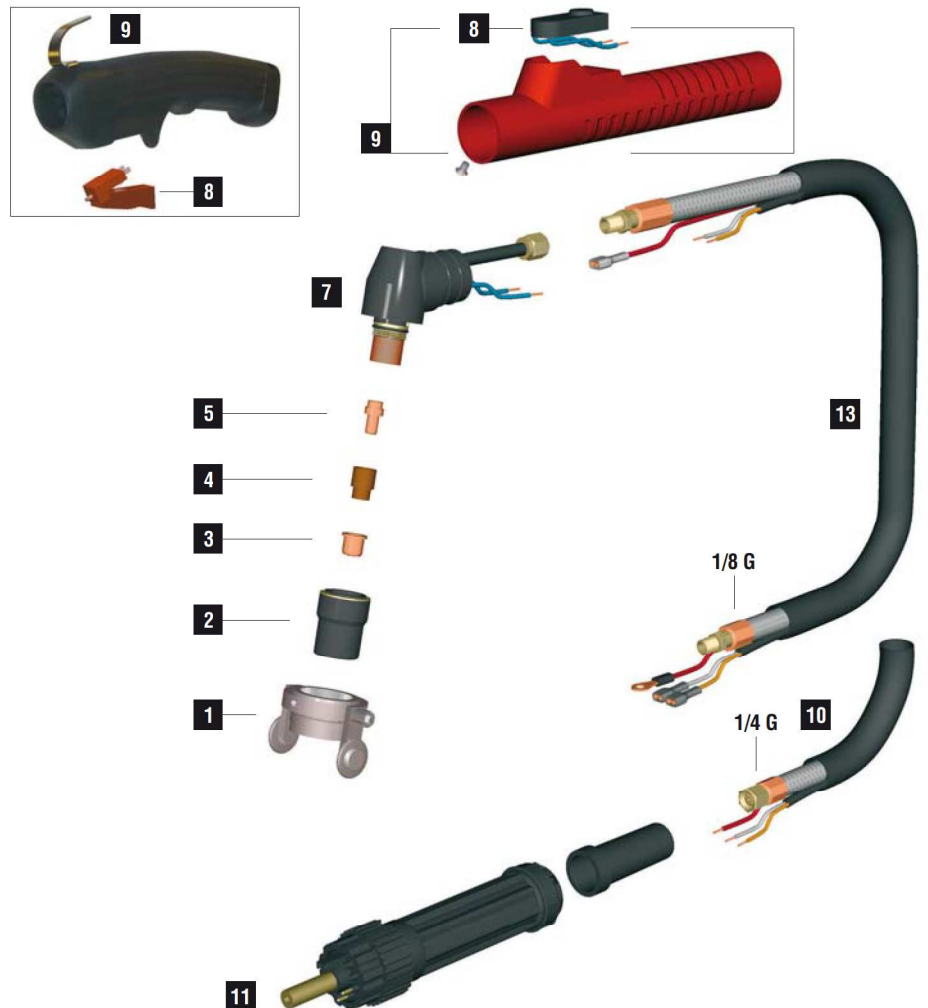
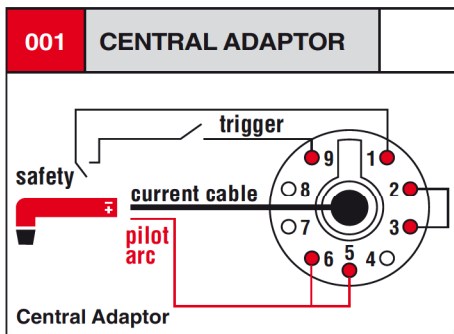


CE EN60974-7



CODE	↔		⏏
PA1240	6 m	19.7'	1/8 GAS
PA1242	6 m	19.7'	CENTRAL
PA1244	6 m	19.7'	1/4 GAS

TECHNICAL DATA		
HF		
1m	0,6 kg	1.43 lb
V PEAK	500	
5 bar		
165 l/min		
X 60%	50A	
X 100%	40A	
10÷15 mm		



	CODE		Description	Ø	Length	Distance	CONTACT		DRAG		GOUGING	REF	
1	CV0037		plasma stand off guide	24,3 mm		31 mm							1
2	PC0003					35,6 mm						5710121	4
3	PD0014-10		50 A	1,0 mm	.040"	26,1 mm						1306	10
3	PD0015-10		50 A	1,0 mm	.040"	11,2 mm						1304	10
3	PD0015-12		60 A	1,2 mm	.045"	11,2 mm							10
3	PD0019-08		40 A	0,8 mm	.030"	11,6 mm							10
3	PD0019-10		50 A	1,0 mm	.040"	11,6 mm						20131	10
3	PD0019-12		60 A	1,2 mm	.045"	11,6 mm							10
3	PD0063-10		50 A	1,0 mm	.040"	26,8 mm							10
3	PD0063-11		60 A	1,1 mm	.043"	26,8 mm							10
3	PD0063-12		70 A	1,2 mm	.045"	26,8 mm							10
3	PD0085-98		50 A	0,98 mm	.038"	26,2 mm						1366	10
3	PD0088-06		20 A	0,65 mm	.025"	12,3 mm							10
3	PD0088-08		40 A	0,8 mm	.030"	12,3 mm							10
3	PD0088-10		50 A	1,0 mm	.040"	12,3 mm						1396	10
3	PD0088-11		60 A	1,1 mm	.043"	12,3 mm							10
3	PD0088-12		70 A	1,2 mm	.045"	12,3 mm						1308	10
4	PE0007		plasma diffuser									20101	2
5	PR0017		plasma electrode			17,3 mm						20103	10
5	PR0065		plasma electrode			32,5 mm							10

	CODE		Description	Quantity
7	EA0202		O-ring included in PE0114	10
7	PF0033		plasma torch head Ø28	1
8	BX0020		trigger for TP0076	10
8	BX0070		trigger for TP0088	10
9	TP0076		handle kit	1
9	TP0088		handle kit	1
10	PH0170		6 m - 1/4 G	1

	CODE		Description	Quantity
10	PH0207		power cable 6 m - 1/4 G	1
10	QB0097		cover (mt)	100
11	CY0002		cable support	1
11	FY0014		central adaptor	1
13	PH0160		power cable 6 m - 1/8 G	1
13	PH0172		6 m - 1/8 G	1

STANDARD

CONTACT SHORT

CONTACT LONG

DRAG SHORT

DRAG LONG